



Thermatic Fans

40 Years / 40 Inventions and many more to come . . .

Home > Category > Thermatic Fans > DCSL9 INCH SHORT (12 VOLT) PART No: 0160



dcs19 inch short (12 volt) part no: 0160

Price: \$102.67 |

1

ADD TO CART

QTY:

9" Thermatic Fan - Part No: 0160

A Davies Craig Thermatic Fan Short is suitable for condenser and radiator cooling. A Davies Craig Thermatic Fan is the most important component on any cooling/refrigeration system. Thermatic Fans provide; strong, consistent & high capacity air flow, increased air conditioning/refrigeration performance, fully reversible blades and polarity for bi-directional air flow, low profile & high performance. All Davies Craig Thermatic Fan Shorts are packaged complete with fan assembly & instructions. 12 volt and 24 volt models available

[VIEW CATALOGUE](#)

[SELECTION GUIDE](#)

[TECHNICAL GUIDE](#)

Order Summary

Total : \$0.00

Total Products : 0

Australian Dollars

[CHECKOUT](#)

[VIEW BASKET](#)

Thermatic® Fan – 9-inch

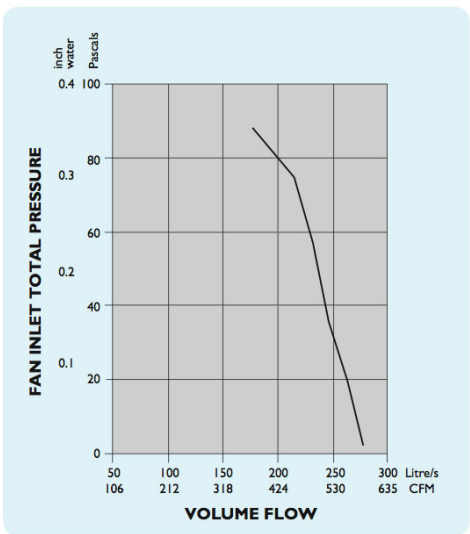
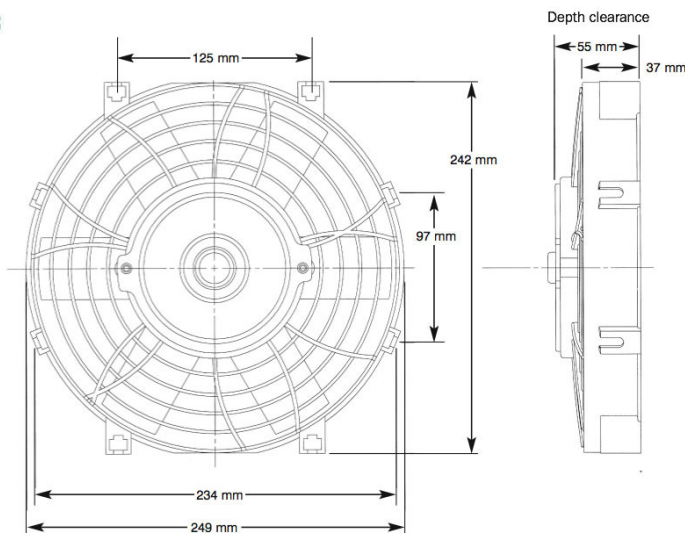
Model **DCSL9**

| Part # | Description | Part # | Description |
|--------|-------------------------|--------|-------------------------|
| 0060 | DCSL9 Fan Kit (12 volt) | 0061 | DCSL9 Fan Kit (24 volt) |
| 0160 | DCSL9 Short (12 volt) | 0161 | DCSL9 Short (24 volt) |

KITS INCLUDE: fan assembly, wiring loom, relay, mounting feet, hardware and instruction sheets.
SHORTS INCLUDE: fan assembly (motor, fan blade, shroud and mounting feet).

This fan assembly is set up for upstream applications. For downstream applications the fan blade must be removed and turned over and the polarity reversed. Always check that the fan blade rotates in the direction shown by the arrows on the blade before making a permanent wiring connection and prior to fastening the unit to the radiator.

Dimensions



Specifications

| | |
|-----------------|----------------------------------|
| Maximum current | 6.5A (12 volt) / 3.25A (24 volt) |
| Life | 1,500 hours at 80°C (176°F) |
| Weight | 0.93kg (2lb) |

Components

| Part # | Description |
|--------|--|
| 0213 | Motor (12 volt) |
| 0215 | Motor (24 volt) |
| 0320 | Rotor (reversible, glass-filled nylon) |
| 0364 | Shroud (glass-filled polypropylene) |
| 0563 | Hardware (12 volt) |
| 0563a | Hardware (24 volt) |
| 0532 | Wiring loom |
| 0533 | 12V relay (40 amps) |
| 0534 | 24V relay (30 amps) |
| 0604 | Mounting feet |



Davies, Craig CATALOGUE | 21

THERMATIC® FANS